

envirovent[®]



Lifetime
Range[™]

Filterless Extract Fan

Designed to Perform. Built to Last.

WC, Bathroom & Kitchen Fan



Filterless Fan



EnviroVent has been continuously refining its Filterless Extract Technology since inventing it 15 years ago. Which has reduced social housing landlord's extractor fan maintenance costs by tens of millions of pounds. The Filterless model has been specifically designed and future-proofed to meet the requirements for social housing newbuild homes.

Guaranteed for longer than any other fan

The Filterless Fan is designed and manufactured in the UK for the rigours of Social Housing where there is a need to remove moisture and improve indoor air quality for all in the dwelling over the long term with minimal maintenance.

The Lifetime Range® products have been designed for longevity and engineered with sustainable components to substantially reduce maintenance and life-cycle costs, ensuring minimum energy consumption. Guaranteed to last longer than any other fan with an incredible 5 year no quibble, maintenance-free warranty, the Filterless Fan offers the lowest life-cycle costs on the market.

5



no quibble,
5 year warranty.
no strings attached.

the facts

Choose the EnviroVent Filterless Fan and you only need to maintain it every 5 years

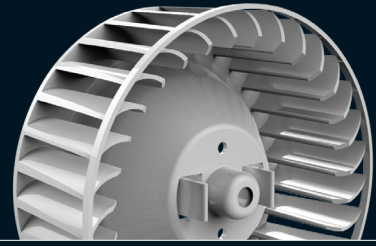
Over the years this technology has been proven to save Social Landlords tens of millions of pounds in fan maintenance costs

No more returning to properties every year to clean and repair clogged fans and dirty filters

the result



Features & Benefits



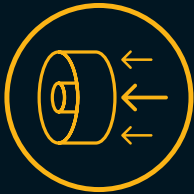
Just some of the reasons why you should choose the Filterless Fan



Patented cyclone technology
For maximum performance to control moisture and humidity



Pullcord or wireless boost switch option
Can be switched to boost mode with the use of a pullcord or optional wireless boost switch



Removable impeller. No filter.
For hassle-free, rapid and safe cleaning



Quiet running
Eliminates one of the biggest complaints about noisy fans



Exchangeable cartridge system
Provides the lowest ever lifecycle costs to save housing providers millions of pounds in maintenance and replacement costs: should never end up on a landfill site



Future-Proofed to Comply
Meets the airflow requirements of a typical dwelling



Ultra low energy consumption
Long trouble free life, less costs



Manufactured in the UK
Supporting our local economy, lowering the carbon footprint

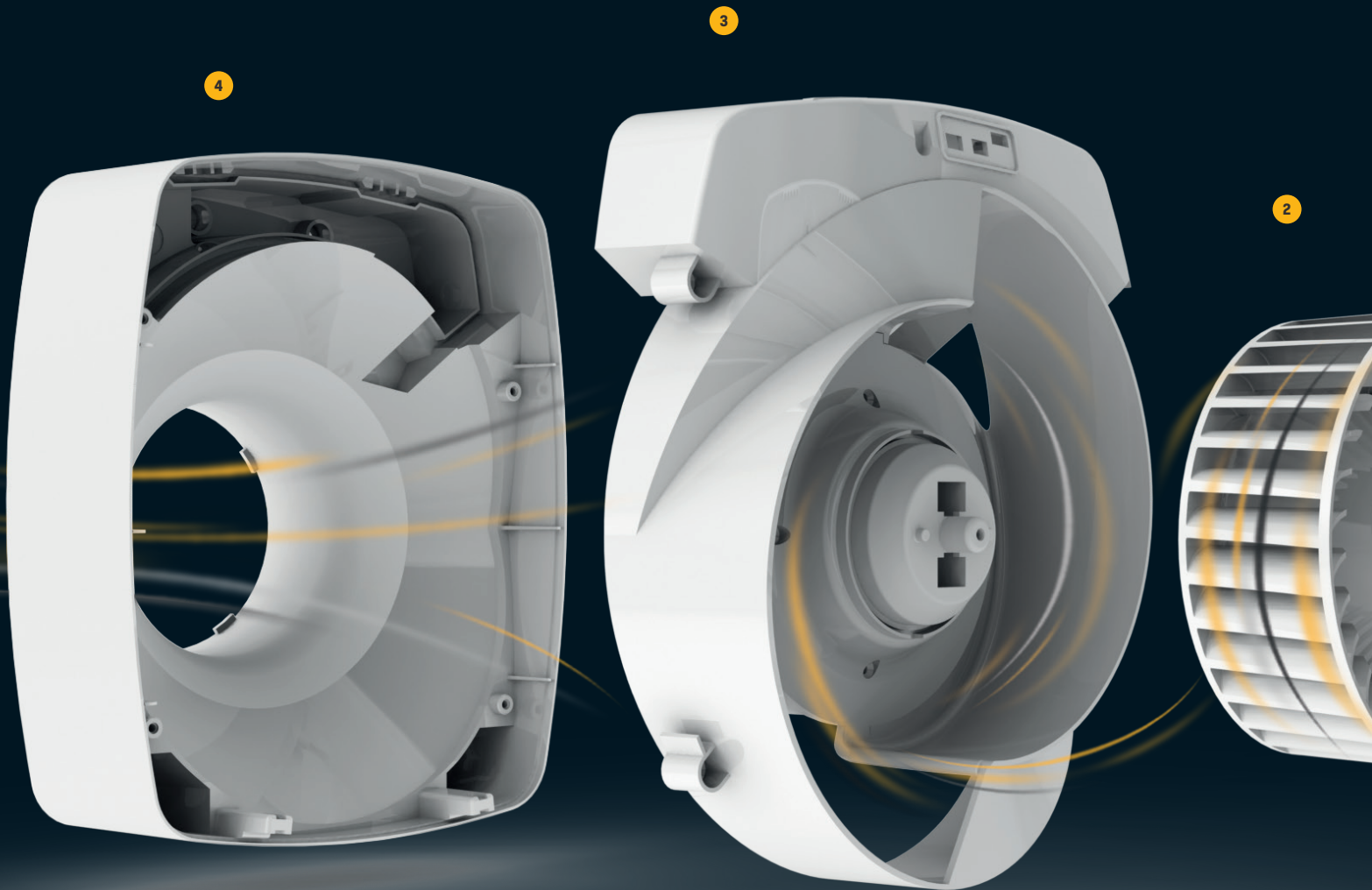


Intellitrac® humidity tracking control
No need for user intervention, the Filterless Fan reacts quietly to reduce high humidity before condensation can start to occur



5 year renewable warranty
Part of our lifetime range®. High quality for peace of mind, saving time, money and hassle. Reducing the impact on landfill sites too

Cyclone Technology



5

Precision engineered, allowing us to offer a 5 year warranty

We are absolutely confident that we can offer a 5 year no quibble maintenance-free warranty.

Our R&D teams are continually testing and improving this technology to make it perform even better for longer. The stylish front grille allows the air to pass through with the least possible resistance to achieve the quietest performance.

accept no imitations.

1

The patented technology behind the Filterless Fan

EnviroVent's Filterless Extract Fans are the only fans with patented Cyclone Technology [No. 0402041.8]. This ensures that all particles, humidity and dust in the air are drawn into the fan and extracted outside the property, without the need for filters that can become clogged. This enables the fan to deliver the maximum of performance to control moisture and humidity using the lowest energy consumption.

- 1 Air is drawn through the helical front grille
- 2 Air flows through the easy clean impeller
- 3 Air is thrown outwards through a dual powered expansion chamber and allowed to expand out to atmosphere
- 4 Air is expelled through robust rear carcass

Intellitrac[®] vapour tracking

Running continuously on trickle, the Filterless Fan ensures that condensation and high humidity levels are kept at bay. No user intervention is required as the intelligent vapour tracking controls constantly monitor the humidity level.

As this rises and falls, the motor speed rises and falls in direct correlation. This controls condensation both quietly and efficiently, eliminating the problem of noisy extract fans and reducing the periods of time when the fan operates on maximum speed, saving energy.



Part of the Lifetime Range®



Lifetime Range®



What does that mean for the Filterless Fan?

<p>1</p> <p>The product is guaranteed for 5 years. It isn't restricted to just the motor and there is no need to register the product</p>	<p>2</p> <p>When you specify a Filterless Fan, it is our responsibility for the next 5 years</p>	<p>3</p> <p>We wipe out any disrepair problems for 5 years. If the product fails, we fix it.</p>
<p>4</p> <p>Costly time consuming call outs and returning product to suppliers is eliminated. It's our problem</p>	<p>5</p> <p>When the guarantee period expires or when the product finally fails, the central cartridge can simply be replaced for a new one and the warranty reinstated at a fraction of the cost of a new product.</p>	<p>6</p> <p>This ensures no product ever ends up on a landfill site, that's why it is called our Lifetime Range®</p>

Installation-Friendly

The Filterless Fan has also been designed for the easiest installation ever:

<p>Power cable entry accessible through all points of the compass</p>	<p>Simple selection switches for commissioning</p>
<p>An IPX4 sealed chamber housing all electronics</p>	<p>The SELV version is supplied with a power supply unit incorporating a fixed fuse spur</p>

One Fan Fits All

The Filterless Fan is ideal for WC, bathroom, kitchen and utility room installations, delivering high performance extract ventilation to meet the building regulations and beyond.

From simple through the wall installations, window installations and ceiling installations, the Filterless Fan fits all with the use of easy to install accessory kits.

For extra safety in bathrooms, a low voltage version is available.



Future Proofed to Comply

There is nothing more frustrating than finding out that a fan that does not comply to the airflow rates when installed. With whole-building ventilation rates expected to increase, the Filterless Fan has been designed to meet the requirements of a typical installation.



**Always refer to the installation instructions before carrying out maintenance.

Filter-free and fuss-free cleaning

4 step cleaning couldn't be simpler or safer:

There is a small magnet which deactivates the fan as soon as the front cover is removed. Once the cover is replaced the fan will continue to run as normal.

1 Remove the front cover

2 Clip out the impeller and wipe the fan clean



3 Wash the impeller in a sink**

4 Replace impeller and front cover

Airflow Performance* - 230V

Settings	Power [W]	Duty [l/s]
Bathroom Trickle	3	13
Bathroom Boost	14	41
Kitchen Trickle	3	16
Kitchen Boost	30	55

Airflow Performance* - SELV

Settings	Power [W]	Duty [l/s]
Bathroom Trickle	3	13
Bathroom Boost	9.5	37

*Performance under free air condition (0Pa)

Running Costs

Bathroom & kitchen

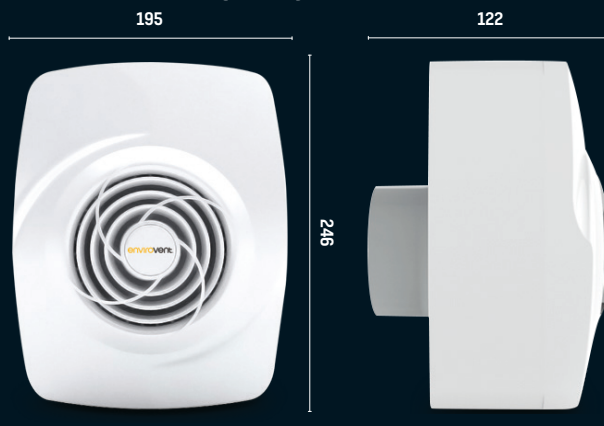
Please scan our QR code to see the **annual running costs** of this product.



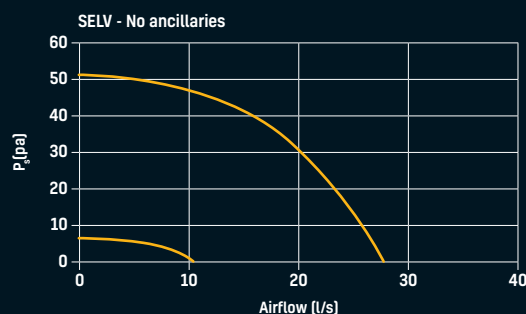
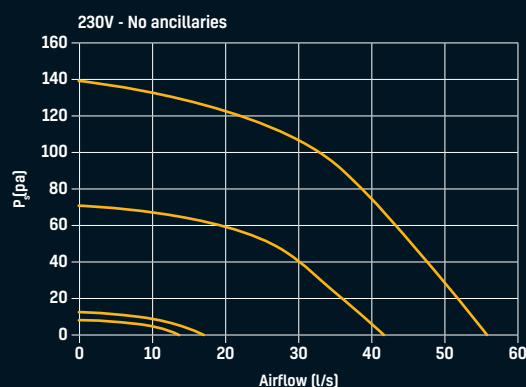
Or visit: envirovent.com/annual-running-costs

Technical data

Dimensions (mm)



Performance Curve



Models

MODELS	DESCRIPTION
EFHT2S-230V	230V version with intellitrac® & pullcord
EFHT2S-230V-WL	230V version with intellitrac® & wireless boost switch
EFHT2S-SELV	SELV version with intellitrac® & pullcord
EFNB-SELV-WL	SELV version with intellitrac® & wireless boost switch

Accessories

The Filterless Fan is available in 230V or SELV format and can be wall, window or ceiling mounted with the use of the below kits.

ACCESSORIES	DESCRIPTION
1RD EFWAK	Wall kit
1AC EFCMBR	Ceiling mounting kit
INFWIK230V	230V window kit
EFWIK12V	SELV window kit

envirovent®

Leaders in the manufacture of innovation and sustainable ventilation

EnviroVent Ltd
Harrogate West Business Park
Unit 1 Bardner Bank
Killinghall, Harrogate
HG3 2SP

T / 01423 810 810
E / enquiries@envirovent.com
W / www.envirovent.com

Due to our policy of continuous innovation and improvement, EnviroVent reserves the right to alter products specification and appearance without notice.

E&OE | MKT ENV604 - V2 - 18/08/2023

Copyright © EnviroVent Ltd 2023



Follow us on
[facebook](#)



Follow us on
[twitter](#)



Watch us on
[Youtube](#)



Follow us on
[Instagram](#)



Find us on
[LinkedIn](#)

